

Influence of nutritional tyrosine on cognition and functional connectivity in healthy old humans

Christian Hensel¹, Maxi Becker¹, Sandra Düzel², Ilja Demuth^{3,4}, Kristina Norman^{5,6}, Elisabeth Steinhagen-Thiessen³, Jürgen Gallinat¹, Ulman Lindenberger^{2,7}, Simone Kühn^{1,2}

¹University Clinic Hamburg-Eppendorf,
Clinic and Policlinic for Psychiatry and Psychotherapy,
Martinistraße 52, 20246 Hamburg, Germany

²Max Planck Institute for Human Development,
Center for Lifespan Psychology,
Berlin, Germany

³Charité – Universitätsmedizin Berlin, corporate member of Freie Universität Berlin, Humboldt-Universität zu Berlin, and Berlin Institute of Health, Department of Endocrinology, Diabetes and Nutrition (including Lipid Metabolism), Germany

⁴Berlin-Brandenburg Center for Regenerative Medicine (BCRT),
Charité University Medicine
Berlin, Germany

⁵Charité – Universitätsmedizin Berlin, corporate member of Freie Universität Berlin, Humboldt-Universität zu Berlin, and Berlin Institute of Health, Research Group Geriatrics, Germany

⁶German Institute of Human Nutrition Potsdam - Rehbrücke, Department of Nutrition and Gerontology, Nuthetal, Germany

⁷Max Planck Centre for Computational
Psychiatry and Ageing Research,
London, United Kingdom

Corresponding author: Simone Kühn

Email address: kuehn@mpib-berlin.mpg.de

Acknowledgements

We are grateful for the assistance of the MRI team at the MPI Berlin consisting of Sonali Beckmann, Nils Bodammer, Thomas Feg, Sebastian Schröder, Nadine Taube.

This article uses data from the Berlin Aging Study II (BASE-II) which has been supported by the German Federal Ministry of Education and Research under grant numbers 16SV5537/16SV5837/16SV5538/16SV5536K/01UW0808/01UW0706. The Responsibility for the contents of this publication lies with its authors.

SK has been funded by two grants from the German Science Foundation (DFG KU 3322/1-1, SFB 936/C7), the European Union (ERC-2016-StG-Self-Control-677804) and a Fellowship from the Jacobs Foundation (JRF 2016-2018). MB and CH have been funded by the German Science Foundation (SFB 936/C7).

Abstract

Tyrosine is precursor for monoamine neurotransmitters such as dopamine (DA), which is one of the key neurotransmitters in the frontostriatal network and of crucial relevance for mental disorders. Recent research reported that high dose tyrosine application resulted in increased brain DA synthesis, which is consistent with the observation of a positive association between daily tyrosine intake and cognitive test performance. In the present study, we investigated the associations between working memory (WM) dependent tasks and everyday tyrosine intake of healthy old humans by additionally including brain functional data. We observed a negative correlation between tyrosine intake and resting-state functional connectivity (rsFC) between the striatum and the inferior prefrontal cortex. That is to say, we found higher rsFC in individuals consuming less tyrosine per day. At the same time, higher rsFC or hyperconnectivity was associated with lower WM performance. These findings suggest that lower or insufficient supply of tyrosine might result in dysfunctional connectivity between striatal and frontal regions leading to lower WM capacity in healthy old humans.

Keywords

Tyrosine, working memory, resting state, functional connectivity

Introduction

In times of superannuation of the population, it becomes ever more important for people to stay healthy over the course of their whole lifetime. One main aspect of age-related health problems is cognitive deterioration. While most people think it is possible to prevent cognitive impairment due to ageing, a lot of them are not sure how to do so (Vaportzis&Gow, 2018). Alongside with physical exercise and improvement in healthcare, nutrition has gotten into focus as a contributor in achieving this goal. Over the past few years, we gained a better insight of several different nutrients and their role in the healthy human brain. One of them is tyrosine, an essential amino acid, which is present in protein rich food (e.g. almonds, eggs, salmon). It serves as the precursor of catecholamine neurotransmitters (CA) (dopamine, epinephrine, norepinephrine). The rate-limiting step in the synthesis of CA is the enzyme tyrosine-hydroxylase (TH). Besides various other factors, research suggests an influence of precursor availability on the activity of TH in mammalian brains (Wurtman et al. 1974) due to TH not being fully saturated most of the time (Carlsson & Lindqvist, 1978). Substrate availability corresponds to tyrosine levels in the brain. Brain levels of tyrosine may vary as a function of its availability in the blood (Fernstrom & Fernstrom, 2007), due to a direct link between blood and brain concentrations of tyrosine. For this reason, nutrition might have an impact on brain CA synthesis and activity, due to nutritional intake determining blood levels of tyrosine (Moja et al., 1996).

Synthesis and metabolism of CA neurotransmitters, in particular dopamine (DA), has a variety of effects on the central nervous system. Evidence provided by pharmacological intervention shows its importance in cognitive processes. Early animal studies have shown that depletion of DA in regions of the prefrontal cortex (PFC) had effects on working memory (WM) in monkeys similar to surgical ablation of the same area (Brozoski et al., 1979). Pharmacological intervention using levodopa (L-Dopa, a DA precursor) reversed those drug-mediated effects of dopamine depletion. Subsequent animal studies showed similar effects of DA modulation in the PFC and impaired cognitive function (Arnsten, 1989; Watanabe et al., 1997). Research in healthy human volunteers provided further evidence for the relationship between DA and cognition. Administration of DA D2 receptor antagonists to reduce DA transmission led to impaired spatial working memory performance (Mehta et al., 1999), while low doses of an agonist improved performance (Luciana et al., 1998). However, this correlation is not linear, meaning higher doses of a DA agonist or DA brain levels itself do not always result in better performance. In fact, the relationship resembles more an inverted U-shape, meaning too low or too high levels can impair cognitive control and effects are highly

dependent on the basal supply of neurotransmitters (Cools & D'Esposito, 2011). Therefore, maintaining an optimal level of DA seems to be crucial. Besides direct manipulation of transmitter signaling in drugs, manipulation of the precursor tyrosine had similar effects on cognition. For example, depletion of tyrosine led to a lower release of DA and impaired cognitive performance in healthy volunteers (Harmer et al., 2001). This shows the importance of a constant supply of tyrosine for maintaining DA synthesis and signaling. In addition, former research has shown tyrosine intake can also enhance WM performance and reverse negative effects of stress in WM tasks (Banderet & Lieberman, 1989; Shurtleff et al. 1994; Thomas et al., 1999; Deijen et al., 1999). This suggests tyrosine to be especially effective in times of high demand or lower basal levels of DA (e.g. under stressful conditions). Furthermore, ingestion of tyrosine rich food improved WM capacity and task-related functional connectivity between the PFC and striatum compared to food missing tyrosine (Nagano-Saito et al., 2008). These findings show that tyrosine-mediated effects are not limited to altering cognition but also affect functional brain connectivity. Another example for decline of the DAergic system is a pathological condition known as Parkinson's disease (PD). Here dopamine depletion within the striatum leads to loss of cognitive and motor abilities. Impairments linked to this condition are rather specific for frontostriatal cognitive function (Lange et al., 1992; Owen et al., 1992; Lees & Smith, 1983). Additionally, as shown by neuroimaging studies, lower activity within the PFC and striatum can be observed in PD patients, while performing a WM capacity depending cognitive task (Owen et al., 1998; Lewis et al., 2003). At the same time, studies on healthy humans have provided evidence for a correlation between higher DA synthesis in the striatum and higher WM capacity (Cools & D'Esposito, 2011). That is to say, WM performance may serve as a predictor for striatal DA synthesis capacity (Cools et al., 2008). Interestingly research has also shown an effect of nutritional tyrosine on DA release in striatal areas (Montgomery et al., 2003). That is why tyrosine blood levels might influence the DAergic system by changes of DA in prefrontal and striatal regions, due to precursor availability, leading to changes in WM task performance and functional connectivity within the frontostriatal network. So far, most research focused on administration of relatively high doses of tyrosine immediately before the tests. To investigate real-life effects of differences in daily dietary tyrosine intake, we recently monitored nutritional behavior as well as cognitive function of healthy adults. The results showed associations between higher everyday tyrosine intake and better WM capacity in younger and older adults (Kühn et al., 2017).

Another rather natural cause of changes in the DAergic system accompanied by cognitive decline is age. Evidence shows an age-related reduction in DA activity in the brain, associated with the decline of motor and cognitive functions (Volkow et al. 1998). Precisely, striatal impairment in DA metabolism and signaling correlates with cognitive deterioration in healthy old humans (Vernaleken et al., 2007; Erixon-Lindroth et al., 2005; Bäckman et al., 2000). In contrast, research suggests DA synthesis capacity to be upregulated with age, possibly as a tool to compensate for reduced signaling (Braskie et al., 2008). Thus, previously described effects of tyrosine availability on cognition and its effectiveness in times of high demand, might be especially prevalent in senescent adults, due to age-related decline of the DA metabolism and therefore higher DA demand.

Given the evidence stated above, we hypothesized a positive effect of a tyrosine rich diet on brain connectivity and WM capacity. To investigate this, we first analyzed data of nutritional behavior and functional brain connectivity. We assessed the everyday intake of tyrosine via a food frequency questionnaire. Subsequently, we analyzed resting-state functional connectivity (rsFC) in fMRI in association to tyrosine intake. Functional connections between PFC and striatum are in close relationship with working memory and can be monitored by rsFC (Di Martino et al., 2008). Previous work has shown pharmacological manipulation of DA, as the one described above, influences rsFC of the frontostriatal network (Cole et al., 2013). A recent study revealed hyperconnectivity of striatal and prefrontal regions in patients suffering from early stages of PD. Administration of L-DOPA mitigated this abnormal rsFC (Kwak et al., 2010). Therefore, under the assumption of dietary tyrosine influencing the DAergic system, we expected to see a correlation between individual tyrosine intake and rsFC of the PFC and the striatum. We focused our research on a group of healthy old humans (older than 60 years) of the Berlin Aging Study II (<https://www.base2.mpg.de/en>), since they display higher variability of WM performance due to age-related cognitive decline. Furthermore, we expected effects of dietary tyrosine to be more prevalent in old age, due to higher demand of DA supply in age. Additionally, a broad battery of cognitive tasks was used to determine WM capacity and to search for associations between daily dietary tyrosine intake, brain connectivity and cognitive performance.

Methods

Participants

We recruited participants within the Berlin Aging Study II (BASE-II) (for additional information see Bertram et al. (2014) and Gerstorf et al. (2016)). Out of the original 2200 participants, fMRI data of 332 subjects older than 60 years was available. Six subjects were excluded due to low scan quality and morphological anomalies as well as another 40 subjects due to missing data in nutrition or cognitive assessment, respectively. This resulted in a final sample size of 286 participants. Subjects were between 60-81 years old (age in years, $M=69.6$, $SD=3.9$, 116 female). None of the participants was on medication that may have affected memory function or had a history of head injuries, medical (e.g., heart attack), neurological (e.g., epilepsy), or psychiatric disorders (e.g., depression).

Procedure

In average nutritional data was acquired two years prior to cognitive assessment (mean difference in days = 719, $SD = 435$) and MRI-scans (mean difference in days = 824, $SD = 430$). MRI-scans took place after the cognitive assessment, in average 3.5 months (mean difference in days = 106, $SD = 124$).

Nutrition assessment

For the assessment of nutritional behavior, we used the validated European Prospective Investigation into Cancer and Nutrition (EPIC) food frequency questionnaire (FFQ) (Boeing et al., 1997). This questionnaire assesses the dietary intake of 148 food items over the course of the last 12 months. The portion size of each item was indicated by line drawings and the participants had to rate their frequency of consumption. Then, using values provided by the Federal Coding System, we determined the nutrients concentration for every food item of the FFQ. For the following analysis, we used the average amount of tyrosine and the average amount of food consumed per day in grams.

Cognitive assessment

The cognitive battery of BASE-II included the assessment of multiple tasks. Here, we focused on the cognitive ability of WM indicated by Letter Updating, Spatial Updating, Serial Recall and Number-N-Back. For all tasks we used accuracy as our main indicator for performance.

Letter Updating Task (LU). Subjects were presented with 7, 9, 11 or 13 letters in a sequence. After the end of a sequence, the subjects had to report the last 3 letters of the sequence in correct order by pressing buttons corresponding to A, B, C, and D.

Spatial Updating (SU). Participants had to remember and update the position of a blue dot within a 3x3 grid. First, either two (first phase) or three (second phase) grids were displayed for 4000ms. Within each of those grids a blue dot was presented in one of the 9 locations. The participants had to remember and update the location according to shifting operations, which were indicated by arrows appearing below the corresponding grids. Arrows were displayed for 2500ms. After six operations, the grids reappeared and the subjects had to click on the resulting end position.

Serial Recall (SR). The participants were instructed to memorize three lists consisting of twelve words each, which were presented via headphones. Simultaneously, the serial position of each word was presented via numbers on a computer screen. After list presentation, the subjects had to recall the items in forward (1 to 12) or backward (12 to 1) order.

Number-N-Back Task (NNB). Participants had to decide whether the current stimulus matches the stimulus shown three steps earlier in the sequence. The stimuli were one-digit numbers (1–9) presented consecutively in 3 visible squares. Subjects made their decision via button-box presses (left/right index finger on white and black button).

Working Memory Latent factor. To assess each participant's WM capacity we used confirmatory factor analysis (CFA) to compute a latent factor of WM indicated by these tasks. CFA was carried out using R (RStudio Team, 2016) and the lavaan package (Yves Rosseel, 2012). Accepted thresholds indicating good model fit were Root Mean Square Error of Approximation (RMSEA) $\leq .05$, Standardized Root Mean Square Residual (SRMR) $\leq .1$ and Comparative Fit Index (CFI) $\geq .95$.

Scanning Procedure

Brain images were collected with a Siemens Tim Trio 3T scanner (Erlangen, Germany) using a 12-channel head coil. A T1-weighted magnetization prepared gradient-echo sequence (MPRAGE) based on the ADNI protocol (TR=2500ms; TE=4.77ms; TI=1100ms, acquisition matrix=256×256×176; flip angle = 7°; 1x1x1mm³ voxel size) was used to obtain structural images. Whole brain functional resting state images were collected over a period of 10 minutes by using a T2*-weighted EPI sequence sensitive to BOLD contrast (TR=2000ms, TE=30ms, image matrix=64×64, FOV=216mm, flip angle=80°, slice thickness=3.0mm,

distance factor=20%, voxel size $3\times 3\times 3\text{mm}^3$, 36 axial slices. Participants were instructed to fixate a fixation cross and relax during data acquisition.

Functional connectivity analysis using resting-state data.

The following steps of preprocessing functional resting-state images and statistical analysis (with time series between ROIs) were performed using CONN-fMRI functional connectivity toolbox, version 16.b (www.nitrc.org/projects/conn) (Whitfield-Gabrieli, & Nieto-Castanon, 2012) based on SPM12 (www.fil.ion.ucl.ac.uk/spm/). In order to reduce the fluctuation of MRI signal in the initial stages of the scan, the first 10 functional images of every subject were discarded, resulting in 291 images per subject.

Preprocessing. At first, we performed spatial preprocessing of functional and structural images. This included slice-timing correction, motion realignment, coregistration, gray and white matter (WhM) as well as cerebrospinal fluid (CSF) structural segmentation, normalization of functional and structural scans to Montreal Neurological Institute (MNI) space and smoothing with an 8-mm FWHM-Gaussian filter, using the SPM12 default parameter choices.

The subjects' estimated motion parameters, the global BOLD signal and BOLD signals in WhM and CSF were used as covariates to attenuate the impact of motion and physiological noise.

Further denoising included regression of six realignment parameters as well as their first temporal derivatives and regression of WhM and CSF using the implemented CompCor approach (Behzadi et al., 2007). After a linear detrending, the resulting time series were additionally band-pass filtered between 0.1 and 0.01 Hz to remove low-frequency drifts and physiological high-frequency noise.

First-level analysis. Using the standard atlas provided by the CONN toolbox (containing 132 ROIs, 106 cortical and subcortical areas from the FSL Harvard-Oxford Atlas and 26 cerebellar areas from the AAL Atlas) we computed functional connectivity between each pair of ROIs (ROI-to-ROI analysis).

Second-level analysis. To investigate the effects of dietary tyrosine, we used the average intake in grams per day (as stated above) and checked for differences in rsFC depending on the amount of tyrosine. We executed a whole brain analyses by correlating the functional connectivity of every ROI pair with the respective tyrosine value while correcting for multiple comparison ($p \leq .05$ and FDR corrected). Age, sex, years of education and average amount of food in grams per day were used as covariates of no interest.

Single subject connectivity values. For an additional investigation of correlations between rsFC (between our ROIs stated above) and WM performance, we extracted the connectivity values between each pair of ROIs for every subject using the CONN output generated during the first-level analysis.

Behavioral data analysis

The obtained data was processed using Statistical Package for Social Science (SPSS, IBM Analytics) version 21. To check our hypothesis of a positive correlation between dietary tyrosine intake and WM, we carried out a partial correlation analysis, using average daily tyrosine intake as independent and WM as dependent variable. We used age, sex, years of education and average food intake per day as covariates. The same tests were performed with single subject connectivity values (as mentioned above) as independent and WM as dependent variable, to check for effects of tyrosine-mediated rsFC differences on WM. Here we just used age, sex and years of education as covariates. The threshold for all correlation magnitudes was $p = 0.05$.

Results

The participant group consumed an average of 2.84 g of tyrosine ($SD = 0.93$, range = 1.2 – 6.5 g) and an average of 81.89g of protein ($SD = 26.8$, range = 36 – 200 g) per day. Their average daily food intake was 1389 g ($SD = 405$, range = 573 – 2745 g). As suggested by former research, which had shown age related decline in cognitive function, we observed a significant negative correlation between the subjects' age and their performance in the LU task [$r(282) = -.117$, $p = .05$], SU task [$r(282) = -.184$, $p = .002$] and NNB task [$r(282) = -.132$, $p = .027$]. The SR task did not show any significant association with age. In contrast, we saw a significant positive correlation between daily tyrosine intake and performance in the SU task [$r(280) = .169$, $p = .004$] and the SR task [$r(280) = .188$, $p = .002$], but not in the NNB and LU task (see *Table 1*). Meanwhile we did not observe any significant age related differences in daily tyrosine consumption ($p > .3$) and overall food intake ($p > .7$).

Latent factor for Working Memory

To define our latent factor capturing WM ability we used test results for NNB, SR, SU, LU as stated above. In the resulting model, all variables loaded in the same direction (positive).

Standardized factor loadings were within moderate range indicating all tasks contributed sufficiently to the latent construct (NNB = 0.77, SU = 0.70, SR = 0.63, LU = 0.49). The practical fit indices were $\chi^2 = 0.985$ [$p(\chi^2) = 0.611$], CFI = 1.0, RSME = < .001 and SMRE = .009, suggesting a close fit to our data. (see *Figure 1*).

Functional connectivity analysis

Whole-brain ROI to ROI analysis revealed a significant negative correlation of daily tyrosine intake in gram and rsFC between the right putamen and left IFG pars opercularis [$\beta = -0.40$, $t(280) = -3.63$, $p\text{-FDR} = .046$] controlling for age, sex, years of education and average food intake in gram per day. Subsequently, we reduced the number of observed ROIs, focusing on the ones located within the prefrontal and striatal areas (frontal pole (FP), superior/middle/inferior frontal gyrus (SFG/MFG/IFG), frontal orbital cortex (Forb), caudate nucleus, putamen). This revealed significant negative correlations of daily tyrosine consumption and rsFC between right putamen and left IFG pars opercularis [$\beta = -0.40$, $t(280) = -3.63$, $p\text{-FDR} = .005$], right putamen and left SFG [$\beta = -0.37$, $t(280) = -3.11$, $p\text{-FDR} = .015$] and right putamen and left IFG pars triangularis [$\beta = -0.32$, $t(280) = -2.90$, $p\text{-FDR} = .020$]. Negative correlation withrs FC between the right putamen and the left MFG was close to significance [$\beta = -0.28$, $t(280) = -2.36$, $p\text{-FDR} = .071$]. Furthermore, we observed negative correlation of tyrosine intake andrsFC between left putamen and right IFC parstriangularis [$\beta = -0.30$, $t(280) = -2.83$, $p\text{-FDR} = .042$], left putamen and left SFG [$\beta = -0.30$, $t(280) = -2.62$, $p\text{-FDR} = .042$], left putamen and left IFG pars triangularis [$\beta = -0.28$, $t(280) = -2.56$, $p\text{-FDR} = .042$], left putamen and left IFC pars opercularis [$\beta = -0.31$, $t(280) = -2.56$, $p\text{-FDR} = .042$], left putamen and right SFG [$\beta = -0.26$, $t(280) = -2.37$, $p\text{-FDR} = .050$] andleft putamen and right IFG pars opercularis [$\beta = -0.26$, $t(280) = -2.34$, $p\text{-FDR} = .050$]. Negative correlation betweenleft putamen and left MFG was almost significant [$\beta = -0.26$, $t(280) = -2.21$, $p\text{-FDR} = .059$] (see *Table 2* and *Figure 2*). We did not observe any significant tyrosine-mediated changes rsFC between nucleus caudate and prefrontal cortex. This suggests an association of higher tyrosine levels and a decrease in rsFC between striatal, in particular the left and right putamen, and prefrontal regions, respectively an increase in rsFC connected to lower tyrosine intake.

Behavioral analysis

First, we analyzed correlations between average daily tyrosine intake in gram (independent variable) and our latent factor for WM (dependent variable) using age, sex, years of education and average daily food intake in gram as covariates. This showed a significant correlation $r(280) = .162$ [$p = .006$, two-tailed].

Second, we wanted to investigate associations between WM and rsFC. Therefore, we extracted the single subject connectivity values (described above) of all observed significant connections within the functional connectivity analysis. We correlated these rsFC values (independent variable) with our latent WM factor (dependent variable) using age, sex and years of education as covariates. This revealed a negative correlation of WM with rsFC between right putamen and left IFG pars opercularis [$r(281) = -.124$, $p = .037$, two-tailed], right putamen and left SFG [$r(281) = -.159$, $p = .007$, two-tailed], right putamen and left IFG pars triangularis [$r(281) = -.164$, $p = .006$, two-tailed] and right putamen and left MFG [$r(281) = -.175$, $p = .003$, two-tailed]. In addition, we observed a negative correlation between WM and the rsFC between left putamen and right IFG pars triangularis [$r(281) = -.148$, $p = .013$, two-tailed], left putamen and left IFG pars triangularis [$r(281) = -.145$, $p = .015$, two-tailed], left putamen and left IFG pars opercularis [$r(281) = -.137$, $p = .021$, two-tailed] and left putamen and right IFG pars opercularis [$r(281) = -.139$, $p = .019$, two-tailed]. We did not find any significant correlations of WM and rsFC between left putamen and left SFG [$r(281) = -.096$, $p = .108$, two-tailed], left putamen and right IFG pars opercularis [$r(281) = -.112$, $p = .061$, two-tailed] and left putamen and left MFG [$r(281) = -.091$, $p = .126$, two-tailed] (see *Table 2*).

Discussion

Recent research was able to show evidence for positive effects of dietary tyrosine intake on cognitive function in healthy humans (Kühn et al., 2017), which were similar to the ones observed after single high dose intake of tyrosine (Hase et al., 2015, Jongkees et al., 2015). Such results are explained by precursor availability – brain levels of tyrosine – influencing the synthesis rate of CA and therefore CA concentration within and around the neurons (Wurtman et al., 1974, Fernstrom et al., 2017). These precursor-mediated improvements in cognitive function were also accompanied by changes in functional connectivity (rsFC) between PFC and striatum (Nagano-Saito et al., 2008).

Based on the research mentioned above, we hypothesized a positive effect of nutritional tyrosine on functional brain connectivity, which could explain the observed improvements in WM capacity. We used data of the Berlin Aging Study II, in particular, resting-state fMRI scans and nutritional data derived from questionnaires to check for associations between diet and rsFC. Furthermore, results of WM dependent tasks were gathered to estimate a latent factor for WM. This latent factor capturing global WM abilities enabled us to check for correlations between WM and daily tyrosine consumption, as well as associations with rsFC. We focused our research on WM, due to tyrosine-mediated effects on WM being well described within the scientific literature.

In the present study, we provided evidence for an association between dietary tyrosine intake and functional brain connectivity. These associations were also linked to positive effects on a latent factor for WM. Our findings are in line with previous research. Using a subsample of healthy old humans, from the same data set used by Kühn et al. (2017), we were able to replicate our previous findings of higher daily tyrosine intake being associated with higher WM capacity. In addition, we found a significantly decreased rsFC between putamen and prefrontal cortex, especially IFG, in association with higher tyrosine consumption. This decrease in rsFC was likewise associated with higher WM performance. These results suggest that tyrosine-related effects differences in WM capacity in healthy old humans may possibly be a consequence of alterations in functional connectivity between striatal and frontal regions, in particular the right putamen and left IFG.

What seems rather counterintuitive is the fact that increased tyrosine supply leads to decreased rsFC, that turn is associated with better WM performance. We explain this result as follows: Decreased rsFC in individuals with high tyrosine supply might represent hyperconnectivity in subjects with insufficient tyrosine supply. Therefore, hyperconnectivity is possibly a consequence of lower precursor availability and therefore lower DA synthesis in the observed regions. Similar findings can be made in pathological states of DA depletion such as patients suffering early stages of PD. PD patients off medication show hyperconnectivity in resting-state fMRI between basal and cortical regions (Kwak et al., 2010)⁶. This increased connectivity was mitigated by therapeutic administration of L-DOPA. These findings fall in line with other reports on conditions of DA depletion, which have shown increased synchronous activity between basal and cortical areas (Costa et al., 2006; Gatev et al., 2006)^{7,8}. According to these studies, increased synchronous activity between basal ganglia and its associated networks is a consequence of the pathological state of DA depletion. This effect of DA modulation was also shown in healthy adults. Pharmacological

intervention using sulpiride, a DA antagonist leading to lower DA transmission, resulted in increased connectivity between basal ganglia and thalamic and cortical areas (Honey et al., 2008). Therefore, hyperconnectivity between such regions seems to represent a state of dysfunctional activity coordination. Higher age is commonly accompanied by DA depletion, due to age-related decline of motor and cognitive functions being caused by impaired DA metabolism (Vernaleken et al., 2007; Erixon-Lindroth et al., 2005; Bäckman et al., 2000)^{20,21,22}. To compensate this reduction of signaling, DA synthesis capacity seems to be upregulated in old humans (Braskie et al., 2008). An upregulation of synthesis would also require additional precursor supply, hence a higher demand for tyrosine can be expected. In conclusion, higher daily tyrosine supply seems to improve cognitive function within healthy old humans, due to mitigating increased synchronous resting-state activity between striatal and frontal regions. This dysfunctional activity coordination might be a consequence of age-related decline in DA metabolism. Higher tyrosine intake might be able to counteract this decrease in DA metabolism by increasing the synthesis rate. Our observations – in the context of former research - suggest a greater need for tyrosine in healthy old humans to possibly improve cognitive aging by counteracting effects of age-related cognitive decline.

Dietary recommendations mostly focus on overall protein intake per day and have recently been updated to fit the higher demand of people older than 60 years. Research suggests a minimal daily intake of 1.0 to 1.2 g of protein (Bauer et al., 2013). According to this, we can expect a minimum average intake of roughly 80 g of protein per day. Within our study group 54.5% of participants consumed less than 80 g of protein, suggesting most people do not consume enough protein to satisfy their demand. Due to this, we think an increase in overall daily protein consumption, focusing on sources high in tyrosine like e.g. cheese (parmesan), soy, lean meats and fish, is an important way to address this problem, rather than taking supplements.

Limitations

The present study is limited by the assessment time points of the data. Dietary data was gathered around two years prior to the cognitive data (mean difference in days = 719, SD = 435) and MRI scans (mean difference in days = 824, SD = 430). Yet, we are convinced that the reports most likely reflect the participant's regular diet, because the questionnaire focused on a rather long period of time, in particular the last 12 months. Moreover, we cannot exclude unobserved common causes for the association between tyrosine, differences in rsFC and cognition, which would explain our observations, due to the limitations of observational data.

For example, there might be other nutrients frequently ingested within a tyrosine rich diet. However, due to the amount of research showing tyrosine-mediated improvement of cognitive function, we think tyrosine itself is most likely the key factor responsible for our observations. In addition, socio-economic status may play an important role explaining the observed associations. Higher socio-economic status is also associated with higher cognitive performance, as well as higher use of nutritional supplements, adherence to certain diet rules and lower fat intake (Hulshof et al., 1991). To control for this possible confound, we controlled for years of education as a rough approximation for the socio-economic status. However, the results were not affected by this variable. Measuring actual blood levels of tyrosine and might also be interesting, to get a more accurate idea of the subject's tyrosine supply. Therefore, we encourage future research to work in this direction, while also checking for the covariance structure of different nutrients. This may allow a deeper understanding of the role of tyrosine in cognition and high age. In addition, this might also allow us to give nutritional advice to improve cognition in healthy old humans.

Informed consent

Informed consent was obtained from all individual participants included in the study.

Conflict of interest

The authors declare no conflict of interest.

References

- Arnsten, A. F., Cai, J. X., Steere, J. C., & Goldman-Rakic, P. S. (1995). Dopamine D2 receptor mechanisms contribute to age-related cognitive decline: the effects of quinpirole on memory and motor performance in monkeys. *J Neurosci*, *15*(5 Pt 1), 3429-3439.
- Bäckman, L., Ginovart, N., Dixon, R. A., Wahlin, T. B. R., Wahlin, Å., Halldin, C., & Farde, L. (2000). Age-related cognitive deficits mediated by changes in the striatal dopamine system. *American Journal of Psychiatry*, *157*(4), 635-637.
- Banderet, L. E., & Lieberman, H. R. (1988). *Treatment with tyrosine, a neurotransmitter precursor, reduces environmental stress in humans*. ARMY RESEARCH INST OF ENVIRONMENTAL MEDICINE NATICK MA.
- Bauer, J., Biolo, G., Cederholm, T., Cesari, M., Cruz-Jentoft, A. J., Morley, J. E., ... & Visvanathan, R. (2013). Evidence-based recommendations for optimal dietary protein intake in older people: a position paper from the PROT-AGE Study Group. *Journal of the American Medical Directors Association*, *14*(8), 542-559.
- Behzadi, Y., Restom, K., Liao, J., & Liu, T. T. (2007). A component based noise correction method (CompCor) for BOLD and perfusion based fMRI. *Neuroimage*, *37*(1), 90-101.
- Bertram, L., Böckenhoff, A., Demuth, I., Düzel, S., Eckardt, R., Li, S. C., ... & Steinhagen-Thiessen, E. (2013). Cohort profile: the Berlin aging study II (BASE-II). *International journal of epidemiology*, *43*(3), 703-712.
- Boeing, H., Bohlscheid-Thomas, S., Voss, S., Schneeweiss, S., & Wahrendorf, J. (1997). The relative validity of vitamin intakes derived from a food frequency questionnaire compared to 24-hour recalls and biological measurements: results from the EPIC pilot study in Germany. European Prospective Investigation into Cancer and Nutrition. *International journal of epidemiology*, *26*(suppl_1), S82.
- Braskie, M. N., Wilcox, C. E., Landau, S. M., O'Neil, J. P., Baker, S. L., Madison, C. M., ... & Jagust, W. J. (2008). Relationship of striatal dopamine synthesis capacity to age and cognition. *Journal of Neuroscience*, *28*(52), 14320-14328.
- Brozoski, T. J., Brown, R. M., Rosvold, H. E., & Goldman, P. S. (1979). Cognitive deficit caused by regional depletion of dopamine in prefrontal cortex of rhesus monkey. *Science*, *205*(4409), 929-932.
- Carlsson, A., & Lindqvist, M. (1978). Dependence of 5-HT and catecholamine synthesis on concentrations of precursor amino-acids in rat brain. *Naunyn-Schmiedeberg's archives of pharmacology*, *303*(2), 157-164.

- Cole, D. M., Oei, N. Y., Soeter, R. P., Both, S., van Gerven, J. M., Rombouts, S. A., & Beckmann, C. F. (2012). Dopamine-dependent architecture of cortico-subcortical network connectivity. *Cerebral cortex*, *23*(7), 1509-1516.
- Cools, R., Gibbs, S. E., Miyakawa, A., Jagust, W., & D'Esposito, M. (2008). Working memory capacity predicts dopamine synthesis capacity in the human striatum. *Journal of Neuroscience*, *28*(5), 1208-1212.
- Cools, R., & D'Esposito, M. (2011). Inverted-U-shaped dopamine actions on human working memory and cognitive control. *Biological psychiatry*, *69*(12), e113-e125.
- Costa, R. M., Lin, S. C., Sotnikova, T. D., Cyr, M., Gainetdinov, R. R., Caron, M. G., & Nicolelis, M. A. (2006). Rapid alterations in corticostriatal ensemble coordination during acute dopamine-dependent motor dysfunction. *Neuron*, *52*(2), 359-369.
- Deijen, J. B., Wientjes, C. J. E., Vullingsh, H. F. M., Cloin, P. A., & Langefeld, J. J. (1999). Tyrosine improves cognitive performance and reduces blood pressure in cadets after one week of a combat training course. *Brain research bulletin*, *48*(2), 203-209.
- Erixon-Lindroth, N., Farde, L., Wahlin, T. B. R., Sovago, J., Halldin, C., & Bäckman, L. (2005). The role of the striatal dopamine transporter in cognitive aging. *Psychiatry Research: Neuroimaging*, *138*(1), 1-12.
- Fernstrom, J. D., & Fernstrom, M. H. (2007). Tyrosine, phenylalanine, and catecholamine synthesis and function in the brain. *The Journal of nutrition*, *137*(6), 1539S-1547S.
- Gatev, P., Darbin, O., & Wichmann, T. (2006). Oscillations in the basal ganglia under normal conditions and in movement disorders. *Movement disorders*, *21*(10), 1566-1577.
- Gerstorff, D., Bertram, L., Lindenberger, U., Pawelec, G., Demuth, I., Steinhagen-Thiessen, E., et al. (2016). Editorial. *Gerontology*, *62*(3), 311-315, doi:10.1159/000441495.
- Harmer, C. J., McTavish, S. F. B., Clark, L., Goodwin, G. M., & Cowen, P. J. (2001). Tyrosine depletion attenuates dopamine function in healthy volunteers. *Psychopharmacology*, *154*(1), 105-111.
- Hase, A., Jung, S. E., & van den Brakel, M. (2015). Behavioral and cognitive effects of tyrosine intake in healthy human adults. *Pharmacology Biochemistry and Behavior*, *133*, 1-6.
- Honey, G. D., Suckling, J., Zelaya, F., Long, C., Routledge, C., Jackson, S., ... & Bullmore, E. T. (2003). Dopaminergic drug effects on physiological connectivity in a human cortico-striato-thalamic system. *Brain*, *126*(8), 1767-1781.
- Jongkees, B. J., Hommel, B., Kühn, S., & Colzato, L. S. (2015). Effect of tyrosine supplementation on clinical and healthy populations under stress or cognitive demands—A review. *Journal of psychiatric research*, *70*, 50-57.

- Kelly, C., de Zubicaray, G., Di Martino, A., Copland, D. A., Reiss, P. T., Klein, D. F., ...& McMahon, K. (2009). L-dopa modulates functional connectivity in striatal cognitive and motor networks: a double-blind placebo-controlled study. *Journal of Neuroscience*, 29(22), 7364-7378.
- Kühn, S., Düzzel, S., Colzato, L., Norman, K., Gallinat, J., Brandmaier, A. M., ...& Widaman, K. F. (2017). Food for thought: association between dietary tyrosine and cognitive performance in younger and older adults. *Psychological research*, 1-10.
- Kwak, Y., Peltier, S., Bohnen, N., Müller, M., Dayalu, P., & Seidler, R. D. (2010). Altered resting state cortico-striatal connectivity in mild to moderate stage Parkinson's disease. *Frontiers in systems neuroscience*, 4, 143.
- Lange, K. W., Robbins, T. W., Marsden, C. D., James, M., Owen, A. M., & Paul, G. M. (1992). L-dopa withdrawal in Parkinson's disease selectively impairs cognitive performance in tests sensitive to frontal lobe dysfunction. *Psychopharmacology*, 107(2-3), 394-404.
- Lees, A. J., & Smith, E. (1983). Cognitive deficits in the early stages of Parkinson's disease. *Brain*, 106(2), 257-270.
- Lewis, S. J., Dove, A., Robbins, T. W., Barker, R. A., & Owen, A. M. (2003). Cognitive impairments in early Parkinson's disease are accompanied by reductions in activity in frontostriatal neural circuitry. *Journal of Neuroscience*, 23(15), 6351-6356.
- Luciana, M., Collins, P. F., & Depue, R. A. (1998). Opposing roles for dopamine and serotonin in the modulation of human spatial working memory functions. *Cerebral cortex (New York, NY: 1991)*, 8(3), 218-226.
- Di Martino, A., Scheres, A., Margulies, D. S., Kelly, A. M. C., Uddin, L. Q., Shehzad, Z., ... & Milham, M. P. (2008). Functional connectivity of human striatum: a resting state FMRI study. *Cerebral cortex*, 18(12), 2735-2747.
- Mehta, M. A., Sahakian, B. J., McKenna, P. J., & Robbins, T. W. (1999). Systemic sulpiride in young adult volunteers simulates the profile of cognitive deficits in Parkinson's disease. *Psychopharmacology*, 146(2), 162-174.
- Moja, E. A., Lucini, V., Benedetti, F., & Lucca, A. (1996). Decrease in plasma phenylalanine and tyrosine after phenylalanine-tyrosine free amino acid solutions in man. *Life sciences*, 58(26), 2389-2395.
- Montgomery, A. J., McTavish, S. F., Cowen, P. J., & Grasby, P. M. (2003). Reduction of brain dopamine concentration with dietary tyrosine plus phenylalanine depletion: an [11C] raclopride PET study. *American Journal of Psychiatry*, 160(10), 1887-1889.

- Nagano-Saito, A., Leyton, M., Monchi, O., Goldberg, Y. K., He, Y., & Dagher, A. (2008). Dopamine depletion impairs frontostriatal functional connectivity during a set-shifting task. *Journal of Neuroscience*, 28(14), 3697-3706.
- Owen, A. M., James, M., Leigh, P. N., Summers, B. A., Marsden, C. D., Quinn, N. A., ... & Robbins, T. W. (1992). Fronto-striatal cognitive deficits at different stages of Parkinson's disease. *Brain*, 115(6), 1727-1751.
- Owen, A. M., Doyon, J., Dagher, A., Sadikot, A., & Evans, A. C. (1998). Abnormal basal ganglia outflow in Parkinson's disease identified with PET. Implications for higher cortical functions. *Brain: a journal of neurology*, 121(5), 949-965.
- RStudio Team (2015). RStudio: Integrated Development for R. RStudio, Inc., Boston, MA
URL <http://www.rstudio.com/>
- Shurtleff, D., Thomas, J. R., Schrot, J., Kowalski, K., & Harford, R. (1994). Tyrosine reverses a cold-induced working memory deficit in humans. *Pharmacology Biochemistry and Behavior*, 47(4), 935-941.
- Thomas, J. R., Lockwood, P. A., Singh, A., & Deuster, P. A. (1999). Tyrosine improves working memory in a multitasking environment. *Pharmacology Biochemistry and Behavior*, 64(3), 495-500.
- Vaportzis, E., & Gow, A. J. (2018). People's Beliefs and Expectations About How Cognitive Skills Change with Age: Evidence From a UK-Wide Aging Survey. *The American Journal of Geriatric Psychiatry*.
- Vernaleken, I., Buchholz, H. G., Kumakura, Y., Siessmeier, T., Stoeter, P., Bartenstein, P., ... & Gründer, G. (2007). 'Prefrontal' cognitive performance of healthy subjects positively correlates with cerebral FDOPA influx: An exploratory [18F]-fluoro-L-DOPA-PET investigation. *Human brain mapping*, 28(10), 931-939.
- Volkow, N. D., Gur, R. C., Wang, G. J., Fowler, J. S., Moberg, P. J., Ding, Y. S., ... & Logan, J. (1998). Association between decline in brain dopamine activity with age and cognitive and motor impairment in healthy individuals. *American Journal of psychiatry*, 155(3), 344-349.
- Watanabe, M., Kodama, T., & Hikosaka, K. (1997). Increase of extracellular dopamine in primate prefrontal cortex during a working memory task. *Journal of Neurophysiology*, 78(5), 2795-2798.
- Whitfield-Gabrieli, S., & Nieto-Castanon, A. (2012). Conn: a functional connectivity toolbox for correlated and anticorrelated brain networks. *Brain connectivity*, 2(3), 125-141.

- Wurtman, R. J., Larin, F., Mostafapour, S., & Fernstrom, J. D. (1974). Brain catechol synthesis: control by brain tyrosine concentration. *Science*, *185*(4146), 183-184.
- Yves Rosseel (2012). lavaan: An R Package for Structural Equation Modeling. *Journal of Statistical Software*, *48*(2), 1-36. URL <http://www.jstatsoft.org/v48/i02/>.

Table 1: Mean task-performance and correlation to age and tyrosine intake

Cognitive Task	Participants' mean accuracy (%) ^a (<i>SD</i>)	Correlation with age (<i>r</i> -value) ^b	Correlation with tyrosine (<i>r</i> -value) ^c
Letter updating (LU)	80.7 (22.2)	-.117**	.054
Spatial updating (SU)	51.3 (21.8)	-.184**	.169**
Serial recall (SR)	35.1 (15.7)	-.030	.188**
Number N-back (NNB)	69.4 (17.7)	-.132**	.110*

^aparticipant's accuracy/correct answers in percent (of maximum possible)

^bcontrolled for gender and years of education

^c controlled for gender, age, overall food intake and years of education

* $p < .1$; ** $p < .05$

Table 2: Effect of tyrosine intake per day on rsFC between striatal and prefrontal regions. Correlations of rsFC between striatal and prefrontal regions and WM performance.

seed	target	Effect of tyrosine on rsFC		Correlation between rsFC and WM [<i>r</i> -value (281)] ^b
		β	t-value(280) ^a	
Putamenright	IFG opercularis left	-0.40	-3.63**	-.124***
	SFG left	-0.37	-3.11**	-.159***
	IFG triangularis left	-0.32	-2.90**	-.164***
	MFG left	-0.28	-2.36*	-.175***
Putamenleft	IFG triangularis right	-0.30	-2.83**	-.148***
	SFG left	-0.30	-2.62**	-.096
	IFG triangularis left	-0.28	-2.56**	-.145***
	IFG opercularis left	-0.31	-2.56**	-.137***
	SFG right	-0.26	-2.37*	-.139***
	IFG opercularis right	-0.26	-2.34*	-.112
	MFG left	-0.26	-2.21*	-.091

SFG = superior frontal gyrus, MFG = middle frontal gyrus, IFG = inferior frontal gyrus

^a controlled for age, gender, years of education and average food intake per day

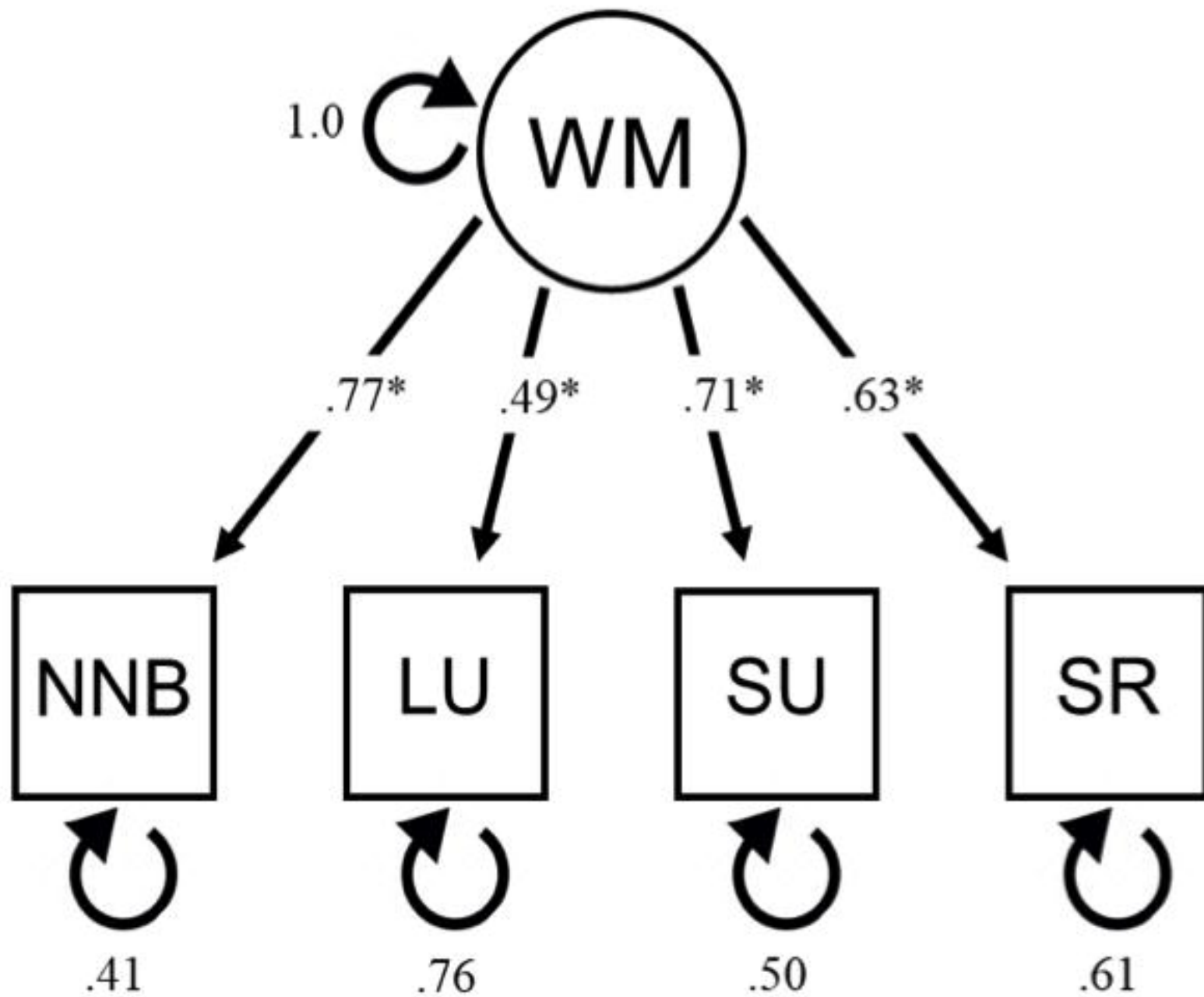
^b controlled for age, gender and years of education

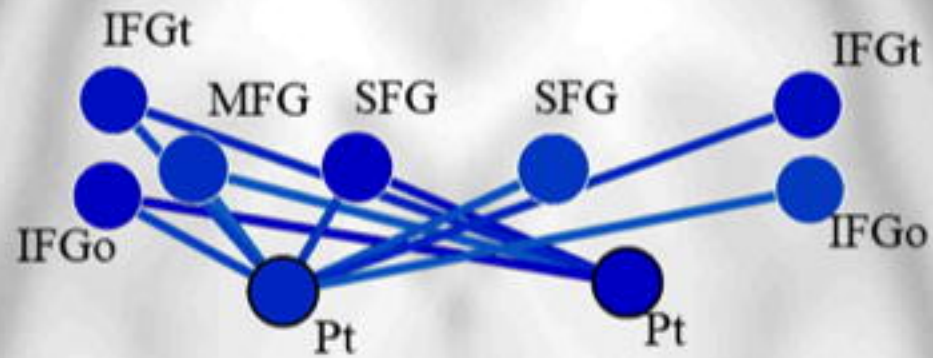
p*-FDR < .1, *p*-FDR < .05

****p* < .05

Figure 1: Measurement model for the latent factor working memory (WM). All factor loadings are significant at the .05 level; WM = latent factor for working memory, NNB = Number N-back, LU = Letter updating, SU = Spatial updating, SR = Serial recall.

Figure 2: Correlations between daily tyrosine intake and rsFC between striatal and prefrontal regions. Blue lines indicate decrease in rsFC between the connected ROIs





Pt: Putamen

SFG: Superior Frontal Gyrus

MFG: Middle Frontal Gyrus

IFGt: Inferior Frontal Gyrus pars triangularis

IFGo: Inferior Frontal Gyrus pars opercularis